

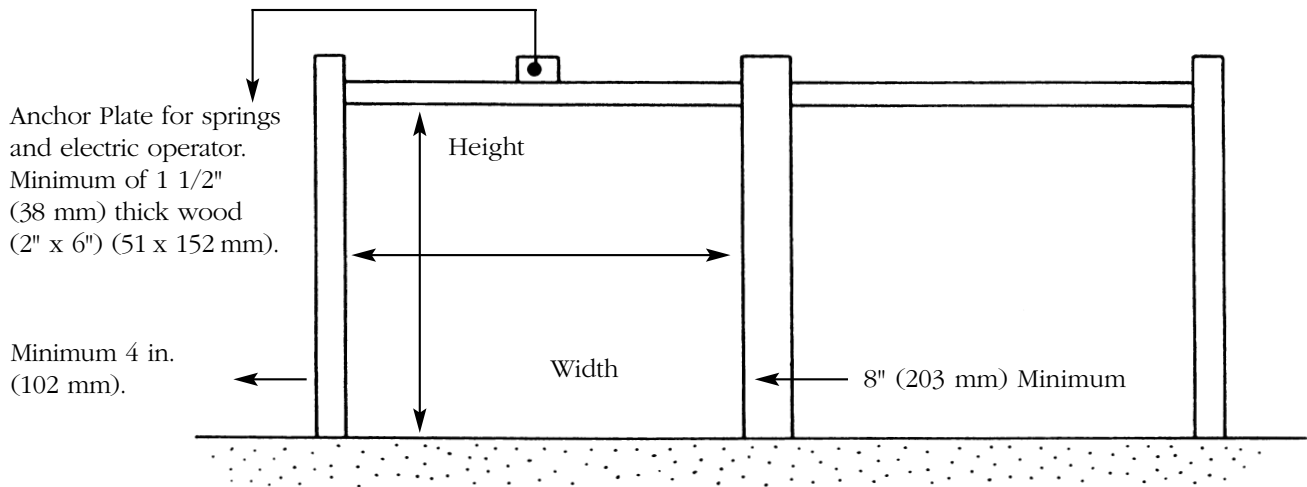


Measuring Your Garage Door

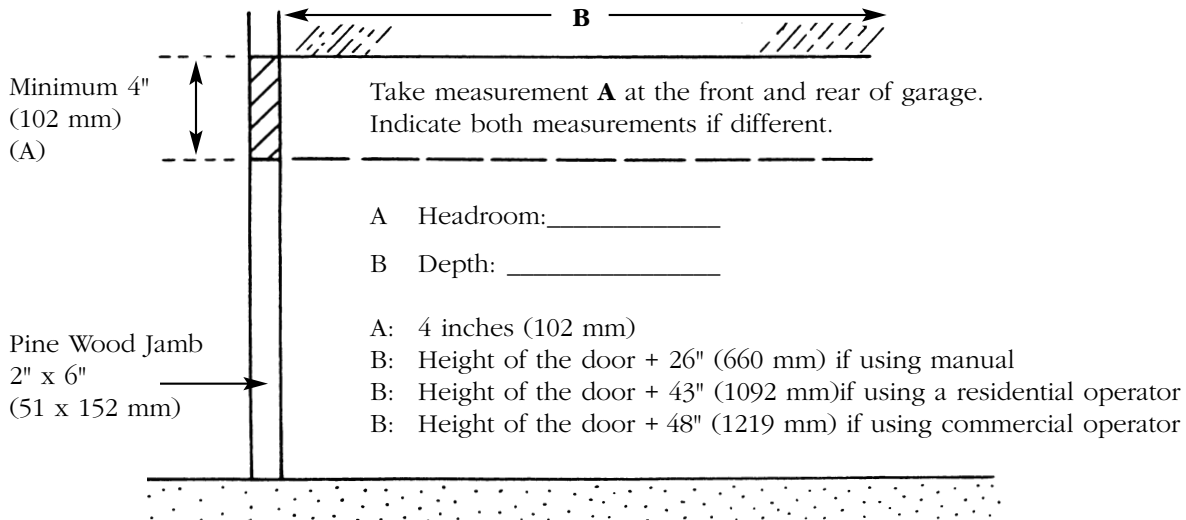
Warning: never use your existing garage door as correct measurement.

Front view

- 1- Measure height from floor to frame in 3 locations : left, right and center.
- 2- Measure width from frame to frame in 3 locations : bottom, middle and top.
In both cases use the largest of the 3 measurements.



Side view



- Note:**
- a) Keep in mind the opening way of any access door.
 - b) Check lighting fixtures, water pipes, etc. which could hinder installation of the door.



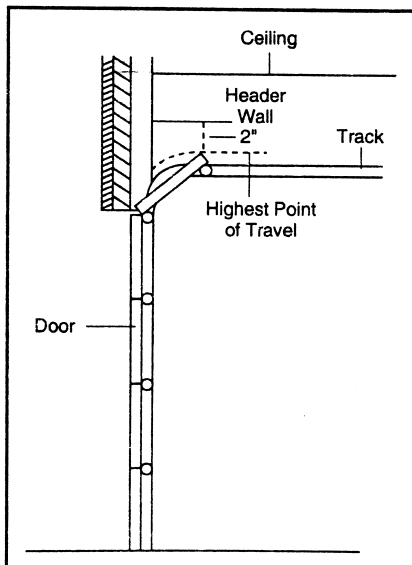


Headroom Required Rear installation

Torsion (1)		Extension (2)	
Headroom	Operation type	Headroom	Operation types
0" to 4" (0 to 102 mm)	Not possible (lower headboard of door)	0" - 4" (0 to 102 mm)	Not possible (lower headboard of door)
4" to 12" (102 to 305 mm)	Low Headroom (double track system)	4" to 8 1/2" (102 to 216 mm)	Low Headroom (double track system)
12" (305 mm) and over	Standard (12" (305 mm) radius) ⁽³⁾	8 1/2" and over (216 mm and over)	Standard (10" (254 mm)radius)

- (1) Garaga recommends the use of **torsion** springs for improved door operation and increased safety.
- (2) Garaga strongly recommends the use of safety cables with **extension** springs for security.
- (3) You can order a 15 inch (381 mm) radius with torsion spring operation.

**If an electric operator is being used, add:
2 inches (51 mm) to headroom required (residential)
4 inches (102 mm) to headroom required (commercial).**



Note: If you have 12 in. (305 mm) headroom with a torsion spring operation, and you would like to install an electric operator, special top brackets (quick turning brackets) are available.

